

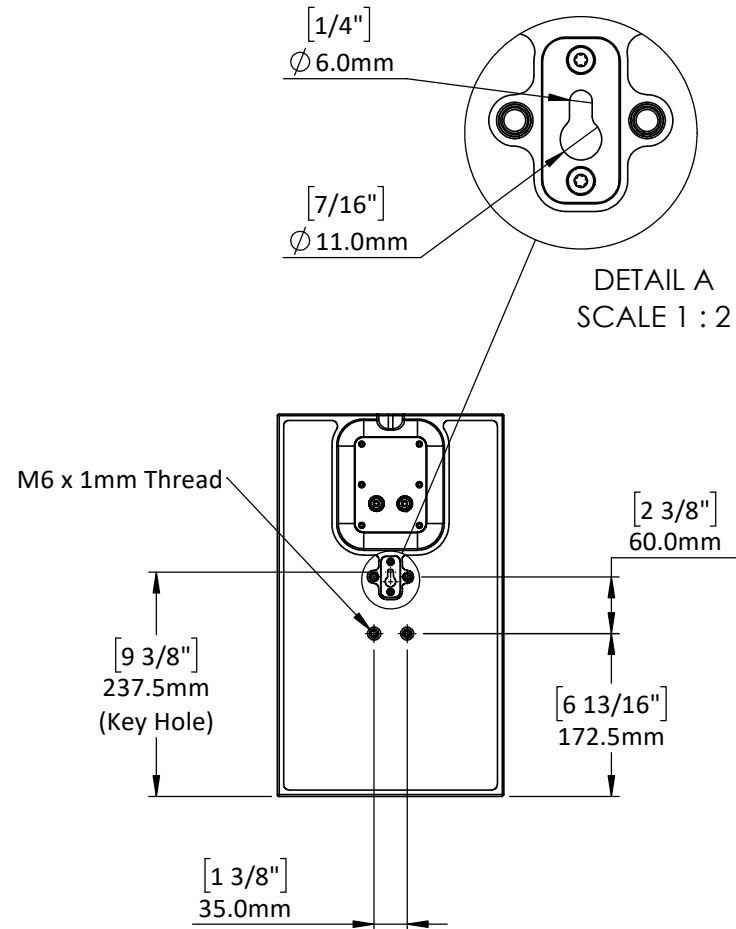
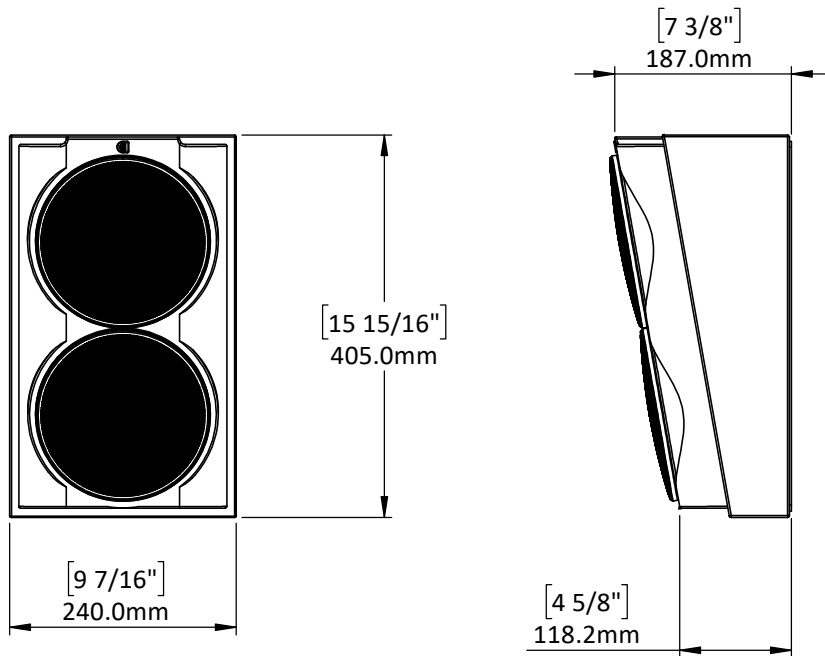
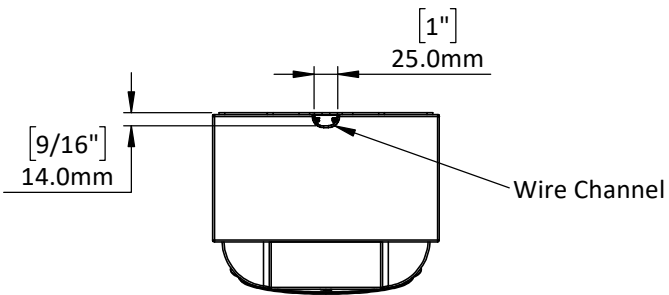
4

3

2

1

REVISIONS		
REV.	DESCRIPTION	DATE
1	Initial Release	3/30/2021



PROPRIETARY AND CONFIDENTIAL THE INFORMATION CONTAINED IN THIS DRAWING IS THE SOLE PROPERTY OF PERLISTEN AUDIO, LLC. ANY REPRODUCTION IN PART OR AS A WHOLE WITHOUT THE WRITTEN PERMISSION OF PERLISTEN AUDIO, LLC IS PROHIBITED.	NAME	DATE		
				TITLE: Sheet1
	SIZE A	DWG. NO. PERLISTEN_S4s_Architectural		REV 1
DIMENSIONS ARE IN MILLIMETERS DO NOT SCALE DRAWING		SCALE: 1:8	SHEET 1 OF 1	

2

1