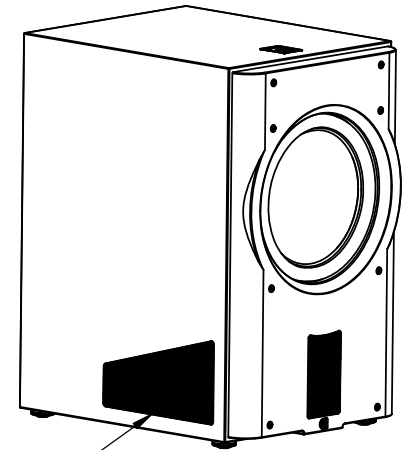
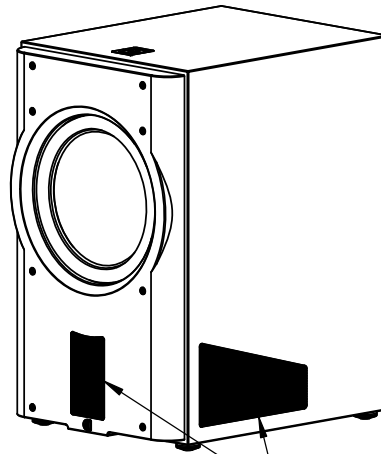
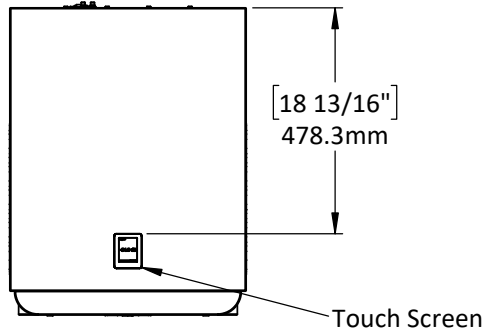
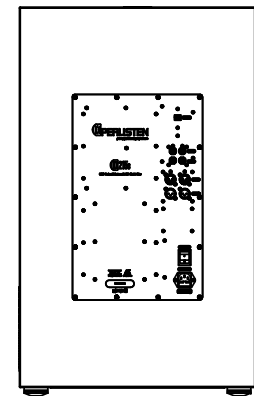
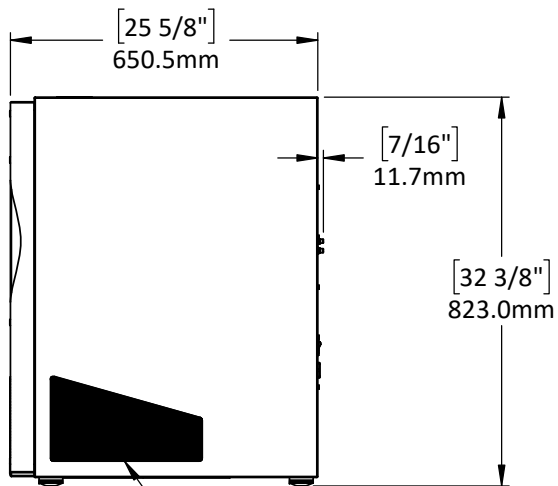
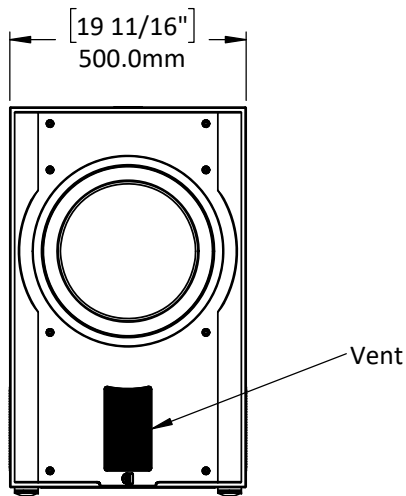


REVISIONS		
REV.	DESCRIPTION	DATE
1	Initial Release	4/11/2021




Please allow for airflow into listening room



Vent (both sides)

PROPRIETARY AND CONFIDENTIAL
 THE INFORMATION CONTAINED IN THIS DRAWING IS THE SOLE PROPERTY OF PERLISTEN AUDIO, LLC. ANY REPRODUCTION IN PART OR AS A WHOLE WITHOUT THE WRITTEN PERMISSION OF PERLISTEN AUDIO, LLC IS PROHIBITED.

NAME	DATE	 <small>PERLISTEN AUDIO, LLC</small>
SIZE	DWG. NO.	REV
A	PL_D215s_Architectural	1
SCALE: 1:16	SHEET 1 OF 1	