

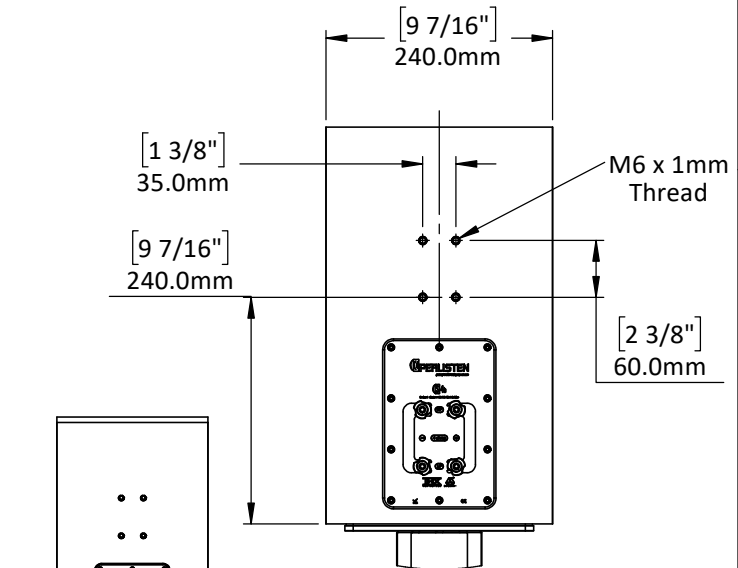
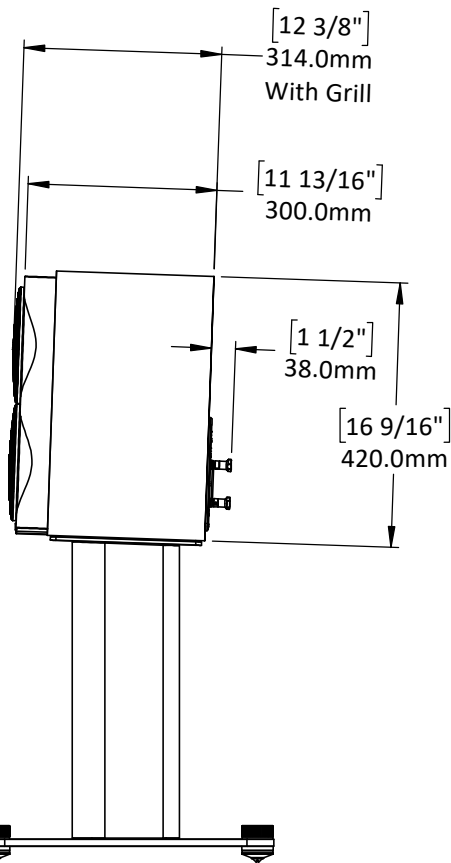
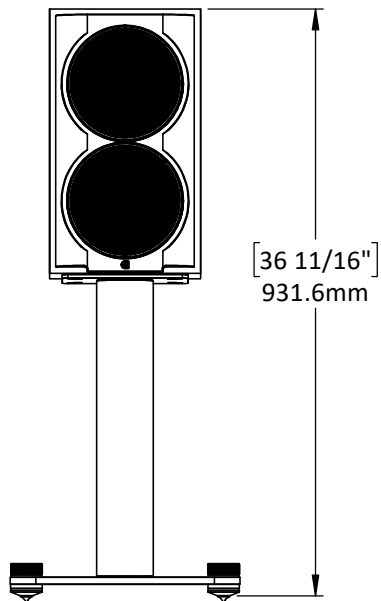
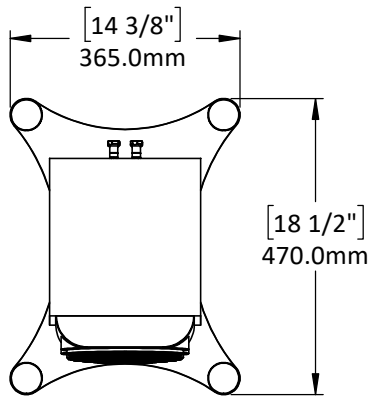
4

3

2


1

REVISIONS		
REV.	DESCRIPTION	DATE
1	Initial Release	8/8/2021



Detail A

PROPRIETARY AND CONFIDENTIAL
 THE INFORMATION CONTAINED IN THIS DRAWING IS THE SOLE PROPERTY OF PERLISTEN AUDIO, LLC. ANY REPRODUCTION IN PART OR AS A WHOLE WITHOUT THE WRITTEN PERMISSION OF PERLISTEN AUDIO, LLC IS PROHIBITED.

NAME	DATE	
TITLE:		Sheet1
SIZE	DWG. NO.	REV
A	PERLISTEN-S4b_Architectural	1
SCALE: 1:12		SHEET 1 OF 1

2

1