

4

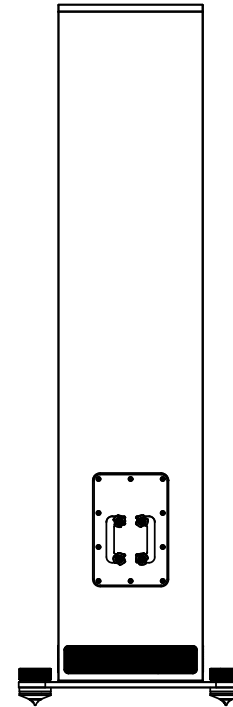
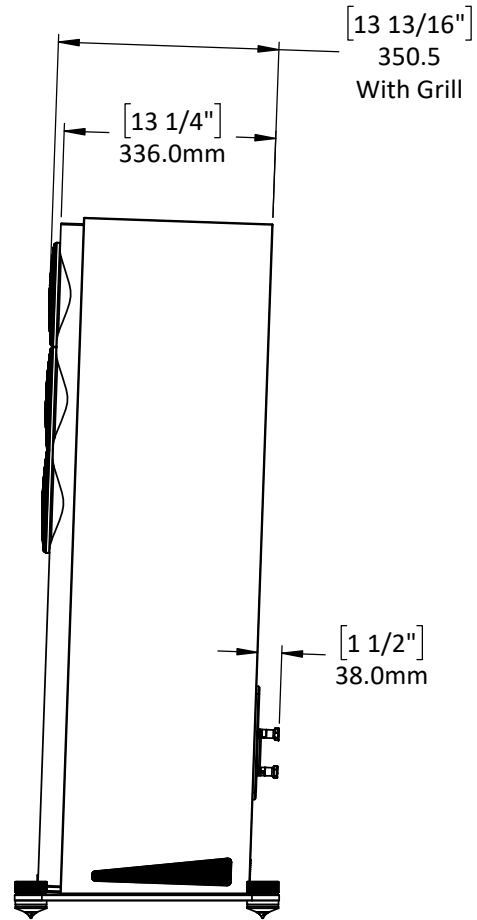
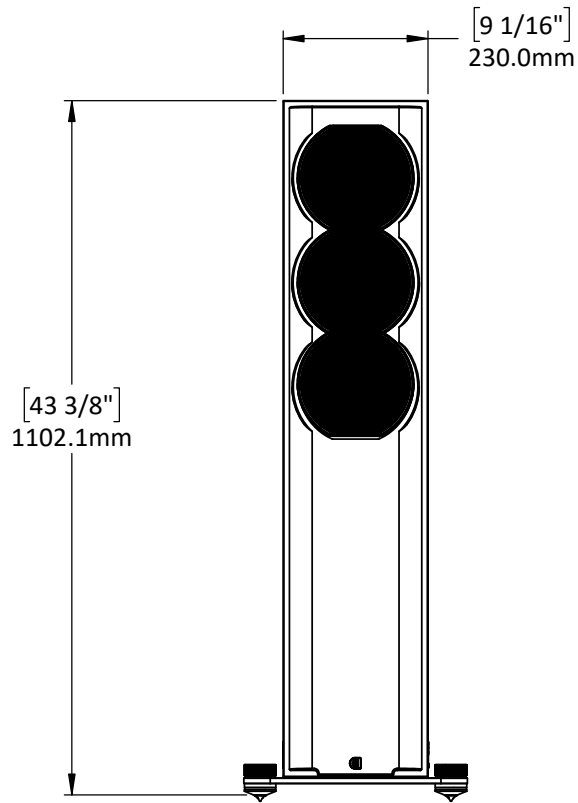
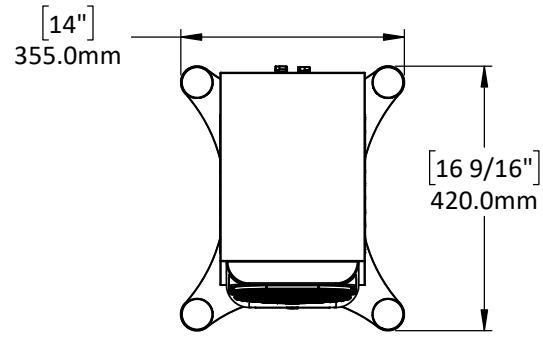
3

2


1

REVISIONS

REV.	DESCRIPTION	DATE
1	Initial release	3/7/21
2	Added grill and terminal dimensions	4/1/2021



**PROPRIETARY AND CONFIDENTIAL**  
 THE INFORMATION CONTAINED IN THIS  
 DRAWING IS THE SOLE PROPERTY OF  
**PERLISTEN AUDIO, LLC.** ANY  
 REPRODUCTION IN PART OR AS A  
 WHOLE WITHOUT THE WRITTEN  
 PERMISSION OF **PERLISTEN AUDIO, LLC** IS  
 PROHIBITED.

NAME	DATE	 <small>per-listen audio llc</small>
TITLE:		Sheet1
SIZE	DWG. NO.	REV
<b>A</b>	<b>PERLISTEN-R5t_Architectural</b>	<b>2</b>
SCALE: 1:12		SHEET 1 OF 1

2

1